

# MOLYNX SYSTEMS



## **Solaris™ Day/night High-Speed Dome Camera with 36x Optical Zoom**

CCDS1425-DN36

- High-speed dome camera
- High-resolution 1/4" Day/Night camera (SONY EX-VIEW CCD)
- High sensitivity up to 0.01 lux in night mode
- 36x optical zoom
- 12x digital zoom
- Wide dynamic function
- Tilt/pan speed up to 360 °/s
- Zoom proportional speed control
- Multi-protocol implementation
- Installation-friendly using External Termination Unit XTU
- XTU with 7 alarm-inputs and tamper alarm

Solaris™ offers accuracy, speed, reliability and high quality images. With its unique split concept External Termination Unit (XTU) and camera Head Unit (HU), Solaris™ has proven to be the solution of choice for installers and end-users around the world. From shops to holiday resorts, hospitals to commercial premises, with perfect picture quality, Solaris™ ensures security is kept at its highest. These new developments in dome technology now bring you more features than ever before.

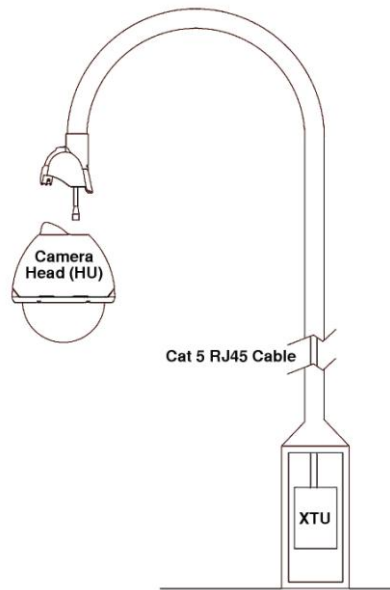
The new Solaris™ Day/Night high-speed dome CCDS1425-DN36 includes a 36x optical zoom Day/Night camera with exceptional low-light performance. A mechanically removable IR-cut filter allows the dome camera to provide good colour picture quality in the day mode and IR sensitive monochrome pictures in the night mode. The integrated 36x optical zoom enables the observation of large sceneries as well as recognition of the smallest details.

**Williams Electronics Ltd.**

Trading as MOLYNX Systems

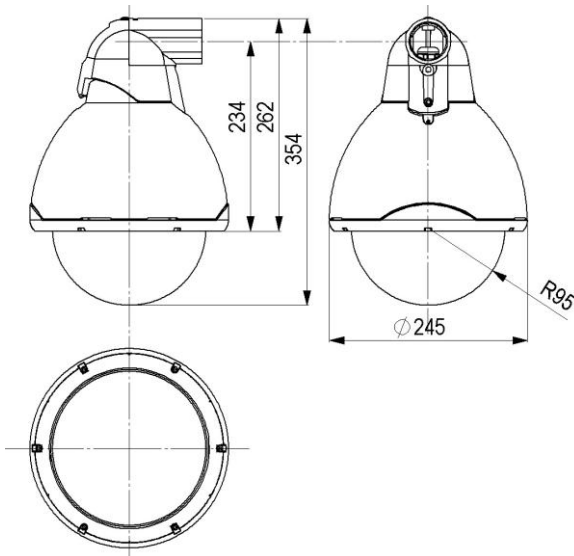
The Solaris™ Dome is very simple to install and commissioning is trouble-free thanks to the XTU. The XTU provides a weather and tamper proof housing for the PSU and all video, data, alarm and power connections to the dome. The Solaris™ HU is factory sealed. This means there is never any need to open it! Once in place, there is no requirement for high-level access. Therefore, there is no need for ladders or expensive access platforms!

Address, protocol and test settings are all configured via a menu driven LCD display in the XTU. There are no switch / button combinations to look up, work out or remember. Using the XTU you can also control Solaris™ and verify video on the LCD panel. The XTU comes with 10-m cable as standard, plus it can also be positioned up to 30 m away from the Dome Head Unit (HU) and up to 500 m from the Control Room. With the XTU, installation is simplified. Checking and fault finding can all be done at ground level.

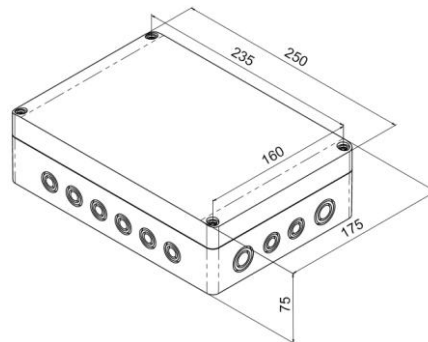


- Ease of installation with all external connections made at ground level via XTU
- Local XTU on-screen verification of video signal
- Set-up via user-friendly XTU LCD panel replacing conventional switches and jumpers
- All Solaris™ features are available when used with third party controllers or DVRs with limited functionality
- A single 'Cat 5' RJ45 cable is used to link to the XTU to the HU.

### Dimensions [mm]



Dome Head Unit (HU)



External Termination Unit (XTU)

## Technical data

|                                |  |
|--------------------------------|--|
| <b>Electrical</b>              |  |
| Camera types                   | 36x optical Day/Night (PAL): CCDS1425-DN36<br>Also available<br>18x optical Colour (PAL): CCDS1425-ST<br>18x optical Day/Night (PAL): CCDS1425-DN<br>26x optical Day/Night (PAL): CCDS1425-DNX |
| Input voltage                  | XTU : 110 - 230 V AC (50/60 Hz, max. 1 A)<br>Dome unit: 18 V DC, supplied from the XTU via the 'Cat 5' RJ45 cable  |
| In-rush current XTU            | 40 / 20 A peak (110/230 V AC)  |
| Plug Connections               | Video: BNC coax<br>Power: Screw terminal block<br>C type (Coax): BNC<br>D type (Twisted Pair): Screw terminal block<br>Alarm, Relay & Photon: Screw terminal block                             |
| Contact rating (relay)         | 1.5 A (24 V DC)  |
| <b>Operational</b>             |  |
| Pan speed                      | Manual: 0 – 90 °/s; preset: 360 °/s  |
| Pan travel                     | 360° continuous  |
| Tilt speed                     | Manual: 0 – 90 °/s; preset: 360 °/s  |
| Tilt travel                    | +10 to -100°   |
| Presets                        | Max. 99 (Depending on protocol and controller)   |
| Tours                          | 32 positions, fully programmable for sequence, dwell and speed   |
| Preset accuracy                | 0.3°   |
| Control hardware               | SIMATRIX NEO, SIMATRIX SYS/648/164 via CAC0103, CKA3210, CKA4820, SISTORE AX, CX, MX, SX, Visilynx V3i, Visilynx II, Visilynx 2+, 6000 series, 600 series variable speed                       |
| Protocols*                     | Molynx 'C' & 'D'(coax and rs485) , Siemens CCDA, Visilynx PCCon, Ernitec, Pelco-D, Pelco-P, Philips, Photon, VCL, Vicon, Videmech Universal  |
| Video outputs                  | XTU: nominal (no gain) VBS 1.0 V <sub>pp</sub> (sync negative)   |
| Electromagnetic compatibility  | Compliant with EMC directive 2004/108/EC   |
| Alarm inputs                   | Opto-coupled (short to alarm com.)   |
| <b>Mechanical</b>              |  |
| Material                       | Injection moulded polycarbonate (GE Lexan EXL9134)   |
| Mounting                       | Wall/ceiling, corner, parapet, pole, recessed ceiling tile or pendant mount (pendant mount standard 1.5" BSP parallel)   |
| Weight                         | Boxed 6.80 kg, XTU only (no cables) 1.50 kg, DOME UNIT only (no cables) 2.60 kg  |
| Colour                         | Pure white RAL 9010  |
| Bubble type                    | Clear  |
| Application                    | Indoor or outdoor - all models   |
| <b>Environmental</b>           |  |
| Degree of protection           | IP67   |
| Ambient temperature, operating | -10 to +40 °C<br>(-20 °C after unit has been powered up for 3 hours)   |
| Ambient temperature, storage   | -20 to +60 °C  |

### Camera module

|                         |   |
|-------------------------|---|
| Television standard     | PAL, 2:1 interlace H: 15,625 Hz, V: 50 Hz |
| Image sensor            | 1/4" type IT CCD (EX View HAD)            |
| Pixels                  | Effective (PAL): 440000                   |
| Horizontal resolution   | 540 TV lines                              |
| Minimum illumination    | Colour: 0.05 lx, B/W: 0.01 lx             |
| Signal/noise ratio      | ≥50 dB                                    |
| Shutter speed           | 1/3 to 1/10000 s, 20 steps                |
| White balance control   | Auto / One Push                           |
| Gain control            | Auto (-3 to 28 dB, 2 dB steps)            |
| Zoom                    | 12x digital                               |
| Lens                    | 36x zoom 3.4 to 122.4 mm (F1.6 to F4.5)   |
| Angle of view           | Horizontal: 1.7° (tele) to 57.8° (wide)   |
| Minimum object distance | Wide end: 320 mm<br>Tele end: 1500 mm     |
| Focus type              | Manual/automatic                          |
| Dynamic range           | 100x                                      |

\*) Note: 3<sup>rd</sup> party protocols may be subject to change without notice.

### Details for ordering

| Part no.      | Designation   | Weight  |
|---------------|---|---------|
| CCDS1425-DN36 | 1/4" high-resolution dome,<br>24 privacy zones, 36x zoom,<br>Colour/mono, clear bubble, IP67,<br>supplied with 110 – 230 V AC XTU | 6.80 kg |
| CCDS1425-DH   | Dummy dome, IP67<br>(no camera or XTU)  | 2.00 kg |

### Accessories

| Type         | Designation                   | Weight  |
|--------------|-------------------------------|---------|
| CCDS1425-PM  | Ceiling pendant mount         | 3.00 kg |
| CCDS1415-FM  | Recessed ceiling tile mount   | 2.00 kg |
| CCDS1425-WM  | Wall mount                    | 3,40 kg |
| CCDS1415-CMA | Corner mount adapter          | 5.00 kg |
| CCDS1415-BM  | Parapet mount adapter         | 1.00 kg |
| CCDS1415-RTU | Remote termination unit (RTU) | 1.30 kg |

### Spare parts

| Type         | Designation                     | Weight  |
|--------------|---------------------------------|---------|
| CCDS1425-XTU | External Termination Unit (XTU) | 2.00 kg |
| CCDS1415-BC  | Clear bubble                    | 1.00 kg |
| CCDS1415-BS  | Smoked bubble                   | 1.00 kg |

Issued by  
Williams Electronics Ltd.  
Unit 9 – 10 Wernddu Court,  
Caerphilly Business Park,  
Caerphilly, CF83 3ED, UK

© 2016 Copyright by  
Williams Electronics Ltd.  
Data and design subject to change without notice.  
Supply subject to availability.

www.w-e.co.uk

Document no. **A6V10229993**  
Edition 01.06.2016